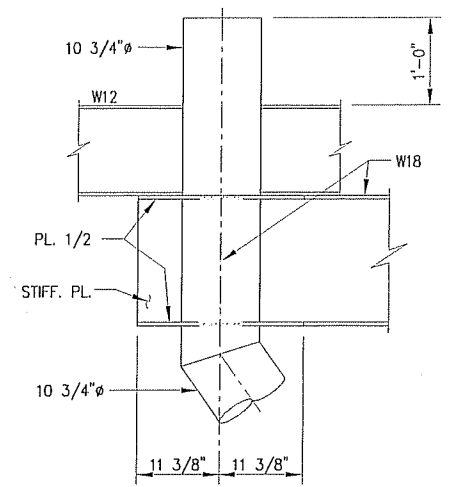
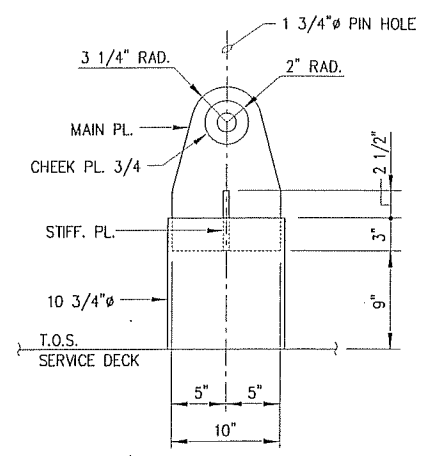


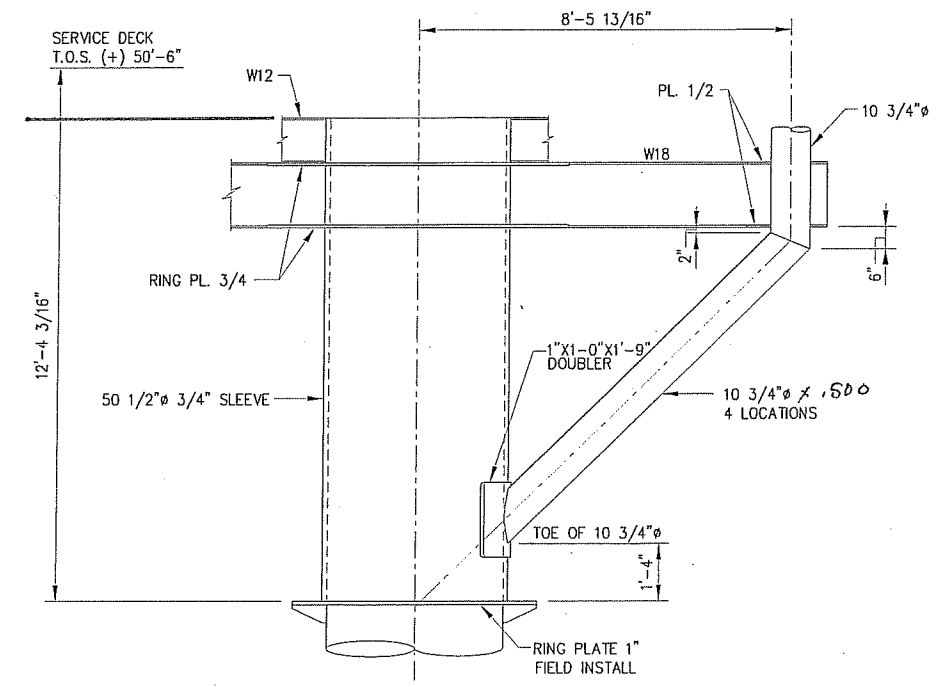
SERVICE DECK FRAMING PLAN
SCALE: 1/2" = 1'-0"



SECTION A
SCALE: 1" = 1'-0" 101



PADEYE DETAIL
SCALE: 1 1/2" = 1'-0"



SECTION B
SCALE: 1/2" = 1'-0" 101

NOTES:
1. ALL MATERIAL SHOWN ON THIS DRAWING IS EXISTING UNLESS NOTED OTHERWISE.

APP'D.	CHK'D.	DRAFT	DATE	REVISION	MARK

THIS DRAWING WAS PREPARED FROM INFORMATION SUPPLIED BY CERTIFIED PLATFORM SERVICE.

CERTIFIED PLATFORM SERVICE
TECHNICAL ENGINEERING CONSULTANTS
GREINA LOUISIANA

APPROVED	DATE	TITLE
PROJECT	7/31/08	SERVICE PLATFORM
DESIGN	7/31/08	EUGENE ISLAND BLOCK 143 NO.3
CHECK		SERVICE DECK FRAMING PLAN
DRAFT	7/31/08	CLIENT
		CPS
		JOB NO. 70830
		DWG. NO. 101

