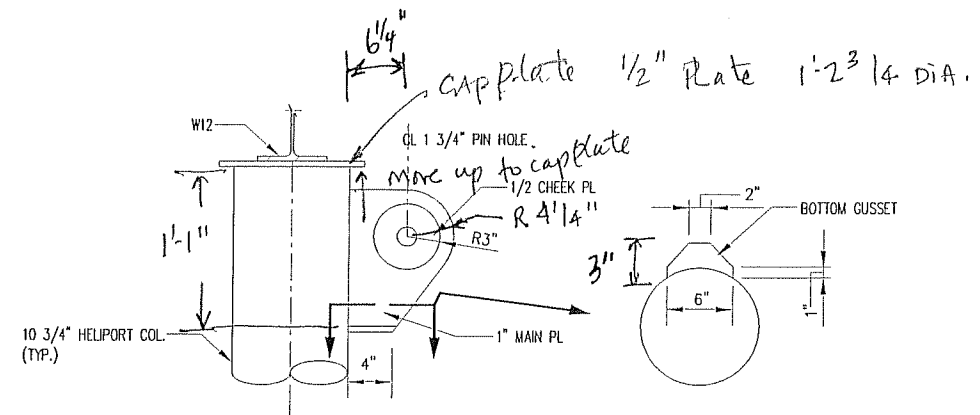
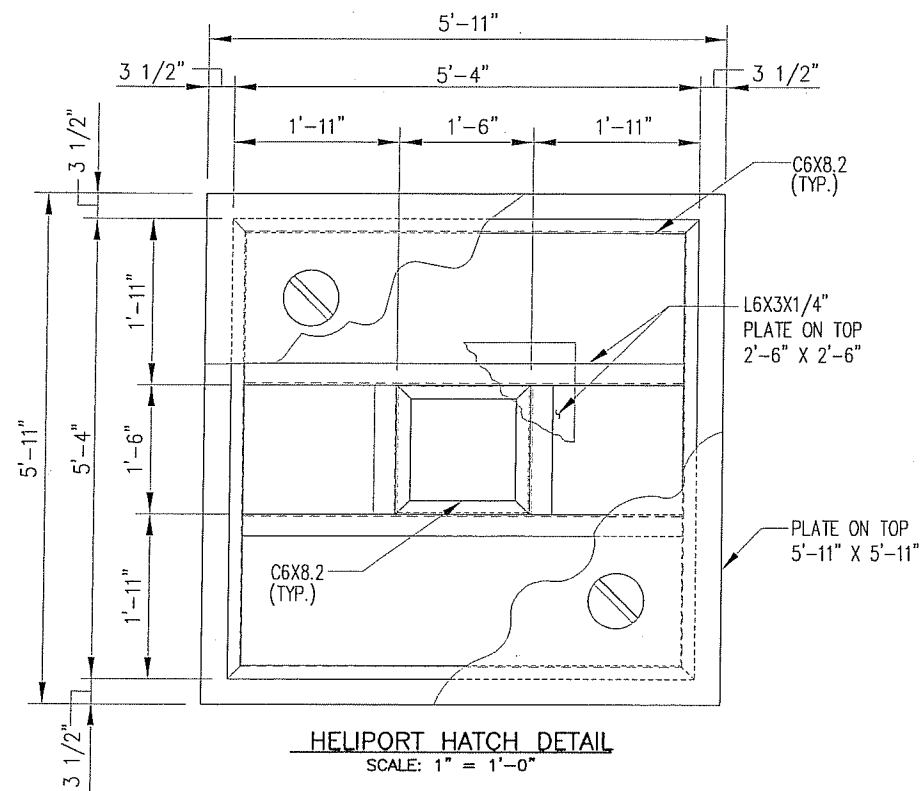


HELIPORT FRAMING PLAN
SCALE: 3/8" = 1'-0"



SECTION A
SCALE 1 1/2" = 1'-0"



HELIPORT HATCH DETAIL
SCALE: 1" = 1'-0"

NOTES:
1. ALL MATERIAL SHOWN ON THIS DRAWING IS EXISTING UNLESS NOTED OTHERWISE.

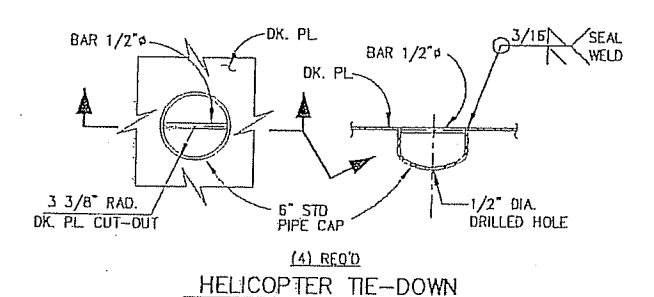
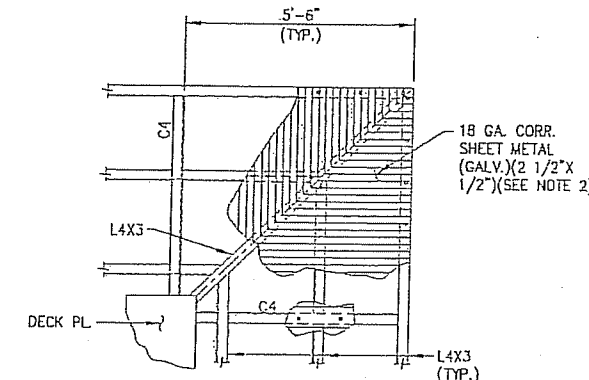
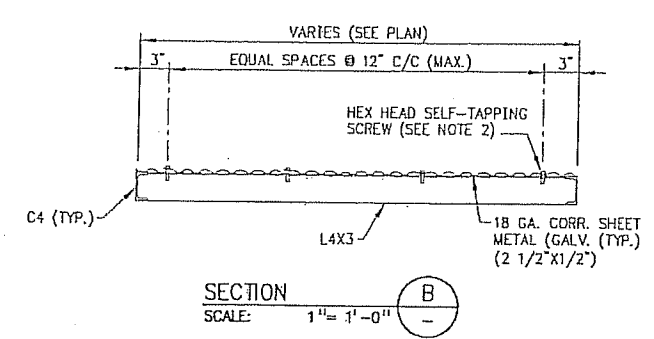
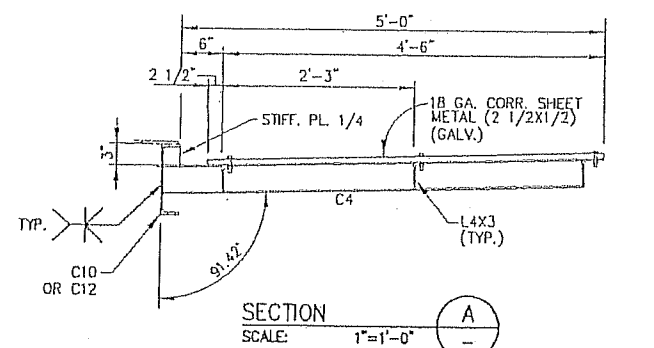
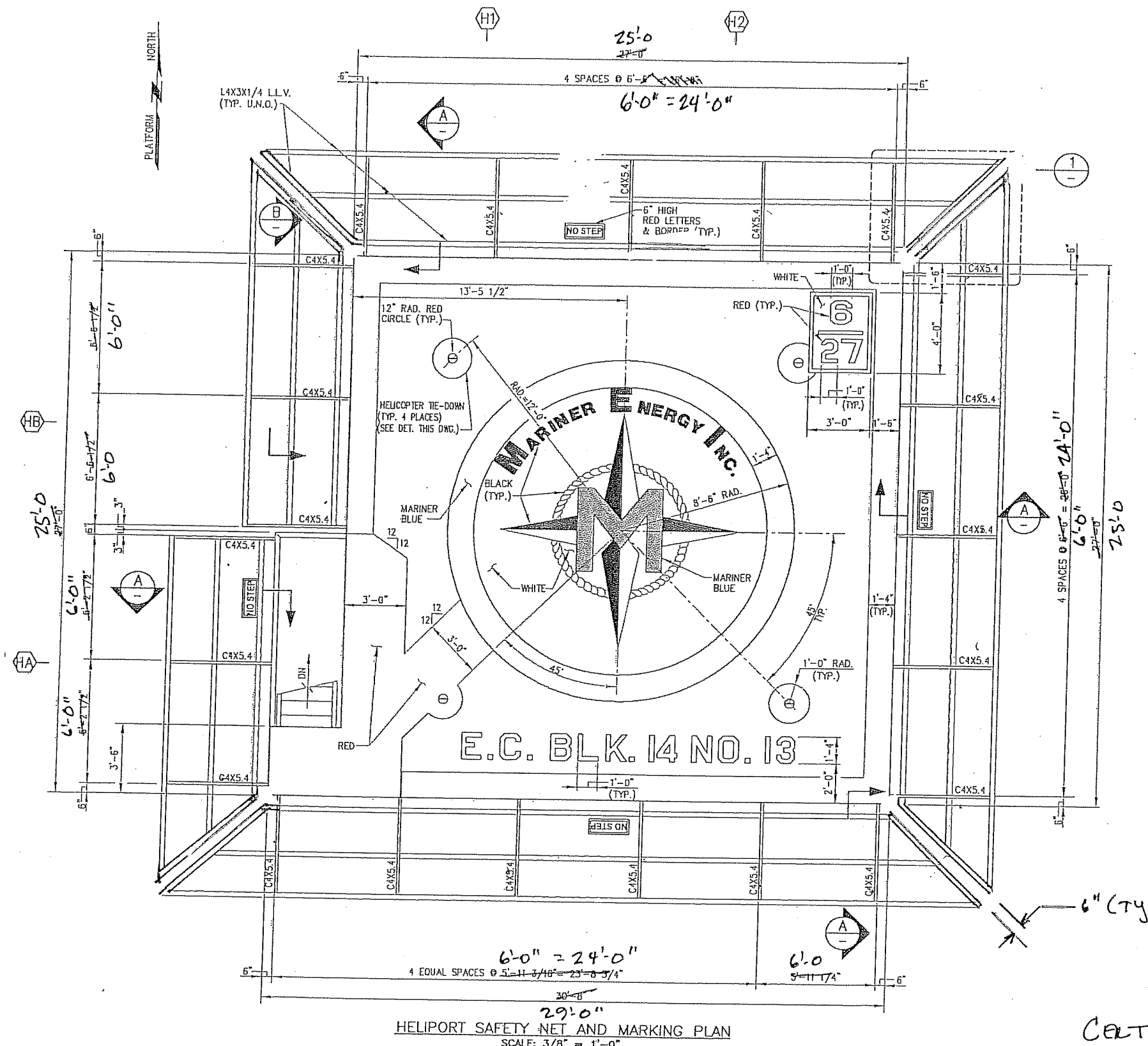
THIS DRAWING WAS PREPARED FROM INFORMATION SUPPLIED BY CERTIFIED PLATFORM SERVICE.

CERTIFIED PLATFORM SERVICE

TECHNICAL ENGINEERING CONSULTANTS
GRETNA, LOUISIANA

APPROVED	DATE	TITLE	SERVICE PLATFORM EUGENE ISLAND BLOCK 142 #3
CLIENT	8/31/08		
PROJECT	RG	8/31/08	HELIPORT FRAMING PLAN
DESIGN	RG	8/31/08	
DRAWN	Kd	8/5/08	CLIENT
			CPS
			JOB NO. 70830
			DWG. NO. 103

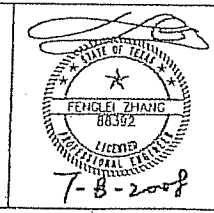
APP'D.	CHK'D.	DRAFT	DATE	REVISION	MARK



HELIPORT SAFETY NET AND MARKING PLAN
SCALE: 3/8" = 1'-0"

CERTIFIED Platform Scavenger
At Tennate
EX-EI 143 No.3.

- NOTES:
- FOR GENERAL NOTES SEE DRAWING 200.
 - CORRUGATED SHEET METAL SHALL BE 2 1/2"X1/2"X18 GAUGE ASTM A446 GRADE "A" OR APPROVED EQUAL SIDE OVERLAPS SHALL BE 1 1/2 CORRUGATIONS. ATTACH WITH NO. 14 HEX HEAD 316 S.S. SELF TAPPING SCREWS W/BONDED NEOPRENE WASHERS, INSTALLED AT 12" MAX. CENTERS ON SUPPORTS.



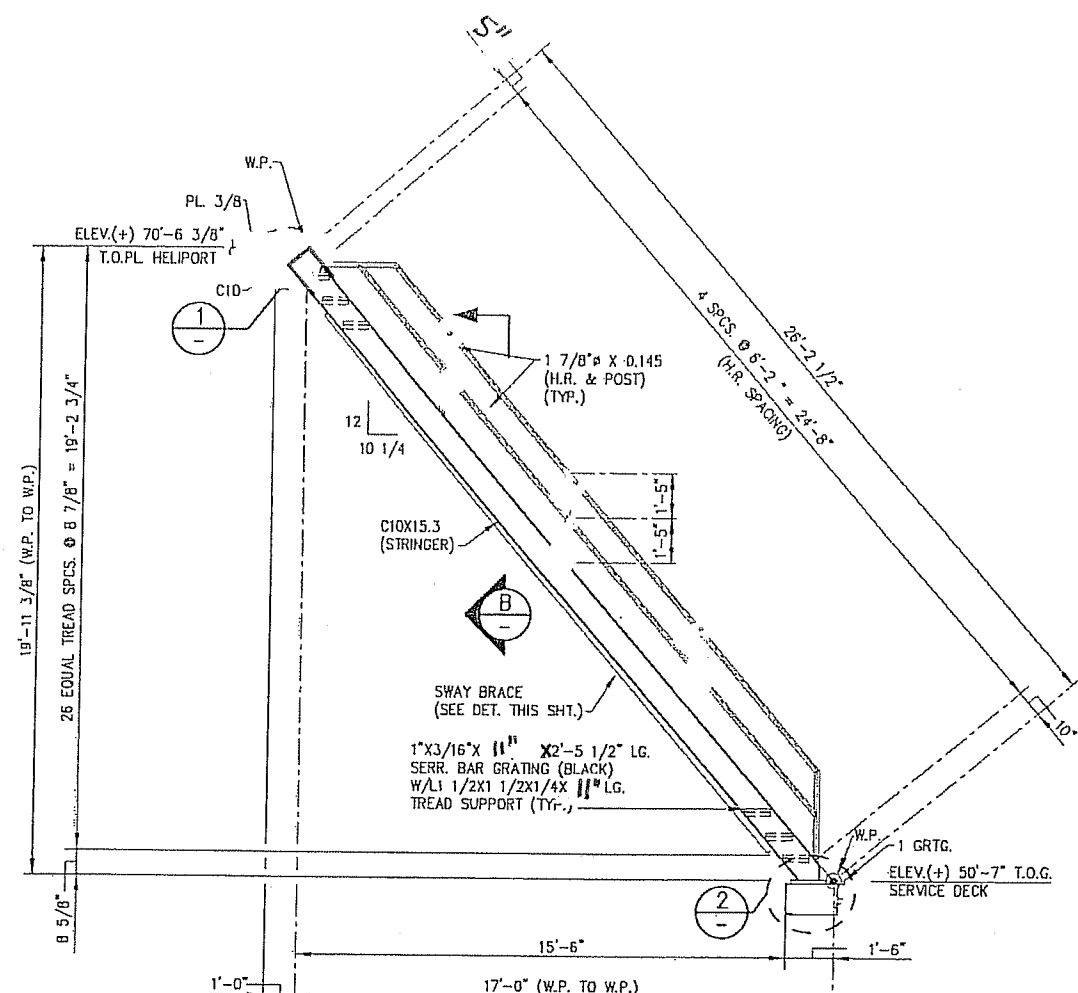
APP'D.	CHK'D.	DRAFT	DATE	REVISION
FZ	CE	HL	7/8/08	APPROVED FOR CONSTRUCTION
FZ	CZ	AJM	4/29/08	ISSUED FOR APPROVAL

MARINER ENERGY INC.

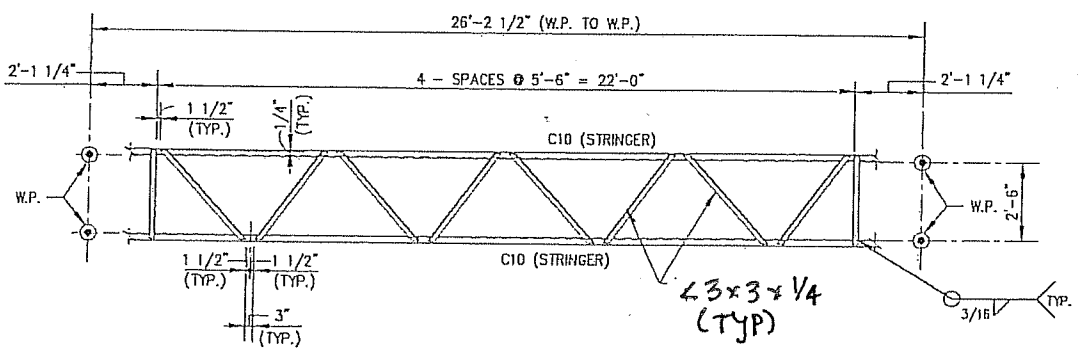
TECHNICAL ENGINEERING CONSULTANTS
GRENA, LOUISIANA

APPROVED	DATE	TITLE
FZ	4/18/08	CAISSON WELL PROTECTOR
CZ	4/18/08	EAST CAMERON BLK. 14 NO. 13 33'-0" W.D.
DM1	5/22/08	HELIPORT SAFETY NET AND MARKING PLAN

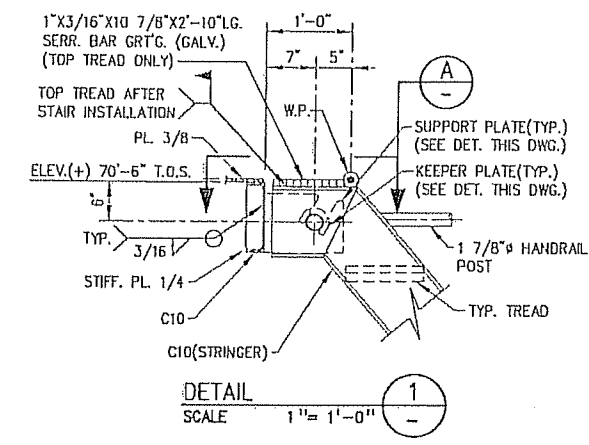
CLIENT: NOVA
JOB NO.: 40820
DWG. NO.: 214



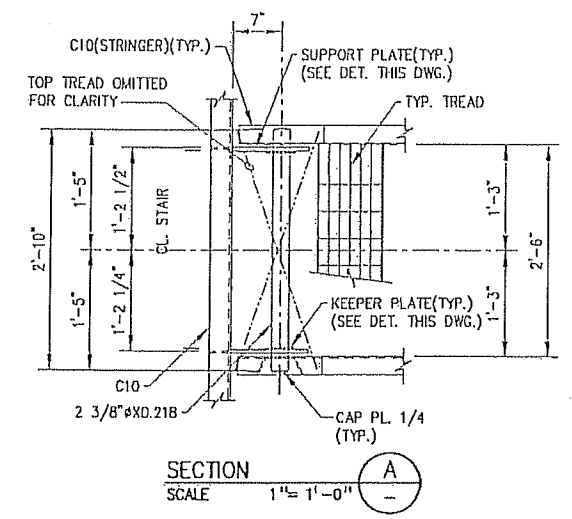
HELIPORT HINGED STAIR
SCALE: 3/8\"/>



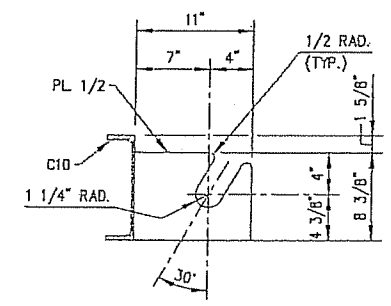
SWAY BRACE
SCALE: 3/8\"/>



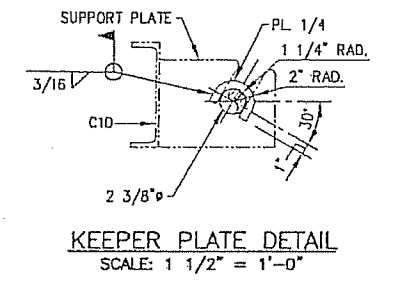
DETAIL A
SCALE: 1\"/>



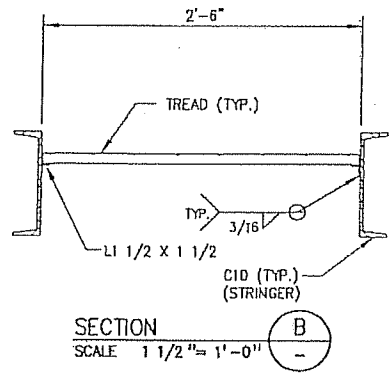
SECTION A
SCALE: 1\"/>



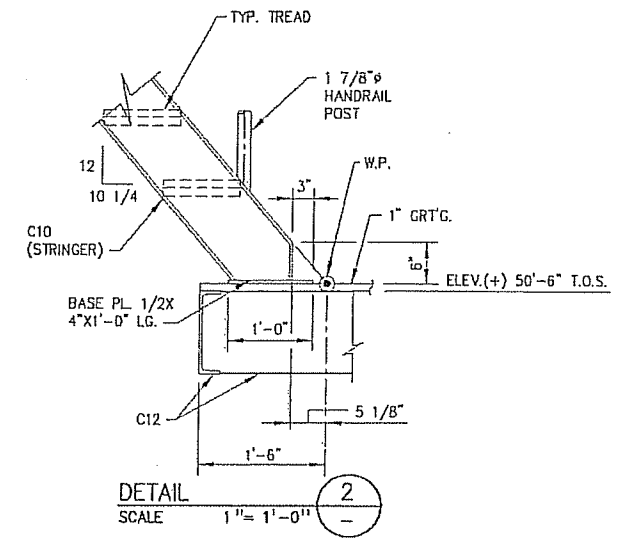
SUPPORT PLATE DETAIL
SCALE: 1 1/2\"/>



KEEPER PLATE DETAIL
SCALE: 1 1/2\"/>

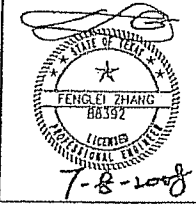


SECTION B
SCALE: 1 1/2\"/>



DETAIL 2
SCALE: 1\"/>

NOTES:
1. FOR GENERAL NOTES SEE DRAWING 200.



APP'D.	CHK'D.	DRAFT	DATE	REVISION
FZ	CZ	HL	7/8/08	APPROVED FOR CONSTRUCTION
FZ	CZ	AJM	4/29/08	ISSUED FOR APPROVAL

MARINER ENERGY INC.
TECHNICAL ENGINEERING CONSULTANTS
ORLEANS, LOUISIANA

APPROVED	DATE	TITLE
CLIENT	4/18/08	CAISSON WELL PROTECTOR
PROJECT	4/18/08	EAST CAMERON BLK. 14 NO. 13 33'-0" W.D.
DESIGN	5/22/08	HELIPORT HINGED STAIR
CHECK	4/18/08	
DRAWN		

CLIENT: NOVA
JOB NO.: 40820
DWG. NO.: 213

