

GRYPHON EXPLORATION COMPANY

GAS PRODUCTION PLATFORM - WEST CAMERON AREA BLOCK 489 "A"

No.	JACKET DRAWING TITLE	STATUS	
		DATE	REV
0001	DRAWING INDEX AND GENERAL NOTES	REF TITLE BLOCK	
0002	PLATFORM ELEVATIONS AND PLANS	24OCT03	0
0003	PLATFORM INSTALLATION SEQUENCE		
1001	JACKET VERTICAL FRAMING AT ROW "CA"	17OCT03	1
1002	JACKET VERTICAL FRAMING AT ROW "BC"	21OCT03	2
1003	JACKET VERTICAL FRAMING AT ROW "AB"	21OCT03	2
1004	JKT HORZ FRMG PLAN AT EL (+) 12'-0" AND EL (-) 50'-0"	24OCT03	1
1005	JKT HORZ FRMG PLAN AT EL (-) 91'-6"	17OCT03	1
1006	JKT HORZ FRMG PLAN AT EL (-) 140'-6"	17OCT03	1
1007	42# PILE ASSEMBLY	14OCT03	0
1008	30# PILE ASSEMBLY	14OCT03	0
1009	BOAT LANDING (DWG 1)	21OCT03	1
1010	BOAT LANDING (DWG 2)	17OCT03	0
1011	BOAT LANDING (DWG 3)	17OCT03	0
1012	BOAT LANDING (DWG 4)	17OCT03	0
1013	BOAT LANDING (DWG 5)	17OCT03	0
1014	SIDE LIFTING EYES	17OCT03	0
1015	UPRIGHTING TRUNNIONS	17OCT03	0
1016	MUDMATS (DWG 1)	22OCT03	0
1017	MUDMATS (DWG 2)	22OCT03	0
1018	CROWN CONNECTORS	15OCT03	0
1019	PILE CENTRALIZERS AND CONDUCTOR GUIDES	17OCT03	0
1020	ANODES	17OCT03	0
1021	TOP OF JACKET FRAMING PLAN	17OCT03	0
1022	RISER AND OVERBOARD LINE LAYOUT	17OCT03	0
1023	RISER SUPPORTS AND CLAMP DETAILS	17OCT03	0
1024	6" DEPARTING RISER DETAILS	17OCT03	0
1025	STABBING BULLETS	23OCT03	0

No.	DECK DRAWING TITLE	STATUS	
		DATE	REV
2001	MAIN DECK FRAMING PLAN	09OCT03	0
2002	MAIN DECK SUB STEEL FRAMING PLAN	09OCT03	0
2003	MEZZANINE DECK FRAMING PLAN	09OCT03	0
2004	ELEVATION ROW "A"	09OCT03	0
2004A	ELEVATION ROW "B"	09OCT03	0
2005	ELEVATION ROW "1"	09OCT03	0
2005A	ELEVATION ROW "2"	09OCT03	0
2006	SECTIONS AND DETAILS	09OCT03	0
2007	HELIDECK BASE PLATES DETAILS	09OCT03	0
2008	MAIN DECK HANDRAIL	09OCT03	0
2009	MEZZANINE DECK HANDRAIL	09OCT03	0
2010	MAIN AND MEZZANINE HANDRAIL DETAILS	09OCT03	0
2011	FIXED STAIR No. 1	09OCT03	0
2012	HINGED STAIR	09OCT03	0
2013	DECK LIFTING EYES	09OCT03	0
2014	INTERMEDIATE LANDING	09OCT03	0
2015	LADDER DETAILS DWG 1	09OCT03	0
2016	LADDER DETAILS DWG 2	09OCT03	0
2017	MAIN DECK GRATING PLAN	09OCT03	0
2018	MEZZANINE DECK GRATING PLAN	09OCT03	0
2019	TYPICAL WELDING DETAILS	09OCT03	0
2020	VENT BOOM DWG 1	17OCT03	1
2021	VENT BOOM DWG 2	09OCT03	0
2022	ESCAPE ROPE	09OCT03	0
2023	SAFETY BAR DETAILS	09OCT03	0
2024	MAIN DECK WELL BAY HATCH AREA	09OCT03	0
2025	ESCAPE ROPE DAVIT	09OCT03	0
2026	IDENTIFICATION SIGN	09OCT03	0
2027	CRANE BOOM REST	09OCT03	0
2028	SWING ROPE	09OCT03	0

2101	WELLHEAD DECK / SUPPORT FRAME	09OCT03	0
2102	WELLHEAD DECK SECTIONS AND DETAILS DWG 1	09OCT03	0
2103	WELLHEAD DECK SECTIONS AND DETAILS DWG 2	09OCT03	0
2104	WELLHEAD DECK HANDRAIL	09OCT03	0
2105	WELLHEAD DECK GRATING PLAN	09OCT03	0


2501	HELIDECK FRAMING PLAN	09OCT03	0
2502	HELIDECK ELEVATIONS "HA AND HB"	09OCT03	0
2503	HELIDECK ELEVATIONS "H1"	09OCT03	0
2504	HELIDECK ELEVATIONS "H2"	09OCT03	0
2505	HELIDECK PLATING	09OCT03	0
2506	HELIDECK STAIR	09OCT03	0
2506A	HELIDECK STAIR DETAILS	09OCT03	0
2507	HELIDECK MARKINGS	24OCT03	A
2508	HELIDECK SAFETY SHELF LOCATION AND SOCKET DETAILS	09OCT03	0
2509	HELIDECK SAFETY SHELF FRAMING	09OCT03	0
2510	HELIDECK CONNECTION DETAILS	09OCT03	0
2511	SOLAR PANEL SUPPORT DETAILS	09OCT03	0

GENERAL NOTES

- FABRICATION AND INSTALLATION SHALL BE IN ACCORDANCE WITH THE CONTRACT AND SSCI SPECIFICATIONS UNLESS STATED OTHERWISE.
- ALL WELDING AND FABRICATION TO BE IN ACCORDANCE WITH AWS D1.1-96 AND API RP 2A (19TH EDITION). ALL WELDING TO BE FULL PENETRATION UNLESS NOTED OTHERWISE.
- ALL TUBULAR JOINTS SHALL BE FRAMED TO A COMMON WORK POINT AT THE INTERSECTION OF THE TUBULAR CENTERLINES UNLESS OTHERWISE NOTED OR DETAILED.
- FABRICATOR SHALL TEST-FIT ALL FIELD INSTALLED ITEMS AS INDICATED.
- ALL GRATING SECURED WITH CLIPS SHALL HAVE 3 (THREE) "G" CLIPS PER SHEET AT EACH SUPPORT CROSSING.

MATERIAL NOTES

- ALL STRUCTURAL MATERIAL SHALL CONFORM TO ONE OF THE FOLLOWING:

 : INDICATES TYPE "A" HIGH STRENGTH STEEL

TYPE A STEEL: API SPEC 2H, GRADE 50 WITH SUPPLEMENTARY REQUIREMENTS S1, S4 AND S5.

TYPE B STEEL: ASTM A992, ASTM A572 GRADE 50, OR API GRADE X52.

TYPE C STEEL: ASTM A36

TYPE D STEEL: API 5L GRADE B, ASTM A53 GRADE B, OR ASTM A106 GRADE B.

TYPE E STEEL: API 5L GRADE X42.

TYPE F STEEL: ASTM A500 GRADE B.

- ALL PLATES AND ANGLES, CHANNELS AND WIDE FLANGE BEAMS W27 AND LARGER SHALL BE TYPE C STEEL UNLESS NOTED OTHERWISE.
- ALL WIDE FLANGE BEAMS W24 AND SMALLER SHALL BE TYPE B STEEL UNLESS NOTED OTHERWISE.
- ALL MILL MANUFACTURED PIPE SHALL BE TYPE D STEEL UNLESS NOTED OTHERWISE.
- ALL SQUARE AND RECTANGULAR STRUCTURAL TUBING SHALL BE TYPE F STEEL.
- ALL HANDRAIL PIPE, STANCHIONS AND SOCKETS SHALL BE TYPE D OR TYPE F STEEL.

PROTECTIVE COATING NOTES


- A 3-COAT PROTECTIVE COATING SHALL BE APPLIED TO ALL EXTERIOR SURFACES UNLESS NOTED OTHERWISE (EX: GALVANIZED MATERIALS). REFER TO PROJECT SPECIFICATIONS FOR COATING REQUIREMENTS AND GUIDELINES.
- ALL HANDRAIL PANELS, HANDRAIL SOCKETS, STAIRS, LADDERS AND CAGES SHALL BE HOT DIP GALVANIZED AFTER FABRICATION.

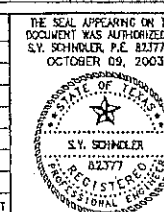
ISSUED FOR CONSTRUCTION
09 OCTOBER 03

GRYPHON EXPLORATION COMPANY

GAS PRODUCTION PLATFORM
WEST CAMERON AREA BLOCK 489 "A"

DRAWING INDEX AND GENERAL NOTES

	
DESIGNED BY	S.V. SCHINDLER
DRAWN BY	J.H. DAVIS
CHECKED BY	HECTOR S. LEAL
SCALE	AS NOTED



PROPRIETARY

THIS DOCUMENT AND THE INFORMATION DISCLOSED HEREIN ARE THE PROPERTY OF STATE SERVICE CO., INC., HOUSTON, TEXAS, U.S.A. AND ARE NOT TO BE REPRODUCED OR USED TO FURNISH ANY INFORMATION FOR MAKING OF DRAWINGS OR APPARATUS EXCEPT WHERE PROVIDED BY WRITTEN AGREEMENT WITH STATE SERVICE CO., INC.

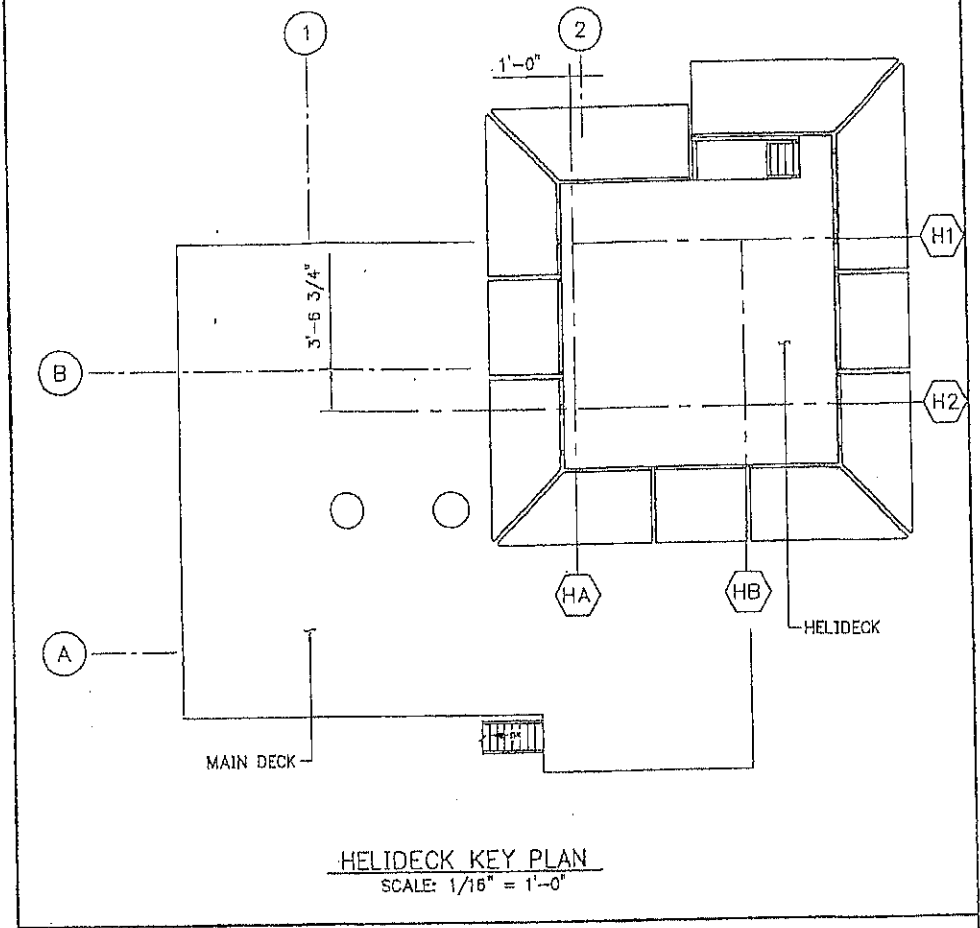
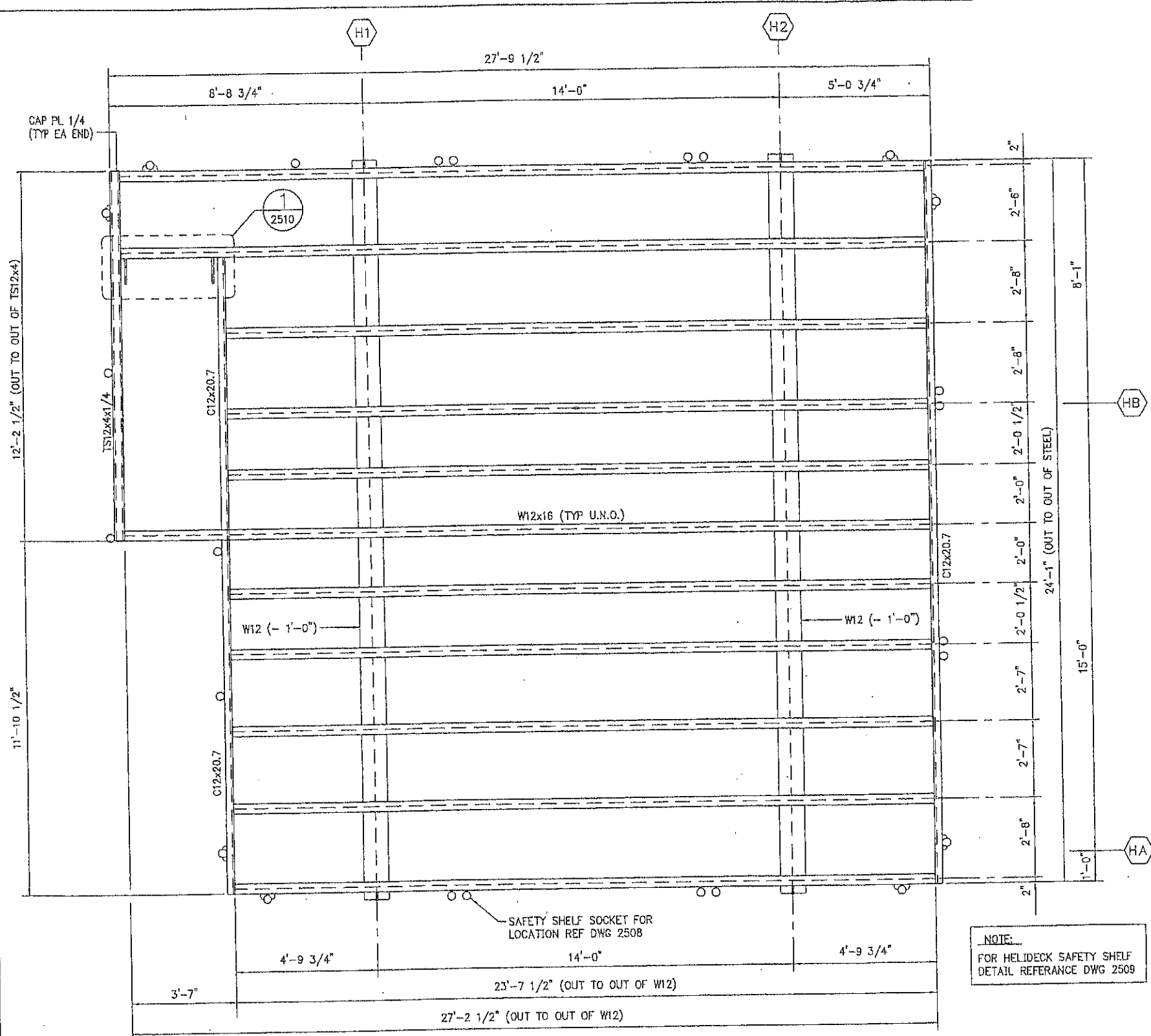
REV	DATE	BY	DESCRIPTION	CHK	ENGR	APPR	QJRT
2	24OCT03	HL	REVISED AS NOTED	HL	SVS	JBS	
1	17OCT03	JHD	REVISED AS NOTED	HL	SVS	JBS	
0	09OCT03	JHD	ISSUED FOR CONSTRUCTION	HL	SVS	JBS	

Drawing name: H:\Drelling\GRYPHON STRUCTURAL\WG_489_A\FEC\36-0001-02.dwg Plotted on: Oct 24, 2003 - 12:58pm

- NOTES:**
- FOR DRAWING INDEX AND GENERAL NOTES REFERENCE DWG 0001.

PROJECT NO. 003-35 DWG. NO. 0001 REV. 2

Drawing name: H:\DRAFTING\GRYPHON STRUCTURAL\WC_489_A\FC\36-2501.dwg Plotted on: Oct 08, 2003 - 2:24pm



NOTE:
FOR HELIDECK SAFETY SHELF
DETAIL REFERENCE DWG 2509

ISSUED FOR CONSTRUCTION
09 OCTOBER 03

NOTES:
1. FOR DRAWING INDEX AND GENERAL NOTES REFERENCE DWG 0001.

PROPRIETARY
THIS DOCUMENT AND THE INFORMATION DISCLOSED HEREIN ARE THE PROPERTY OF STATE SERVICE CO., INC., HOUSTON, TEXAS, U.S.A. AND ARE NOT TO BE REPRODUCED OR USED TO FURNISH ANY INFORMATION FOR MAKING OF DRAWINGS OR APPARATUS EXCEPT WHERE PROVIDED BY WRITTEN AGREEMENT WITH STATE SERVICE CO., INC.

REV	DATE	BY	DESCRIPTION	CHK	ENGR	APPR	CLIENT
0	09OCT03	JhD	ISSUED FOR CONSTRUCTION	HL	SVS	JBS	

THE SEAL APPEARING ON THIS DOCUMENT WAS AUTHORIZED BY S.V. SCHINDLER, P.E. B2377 OH OCTOBER 08, 2003

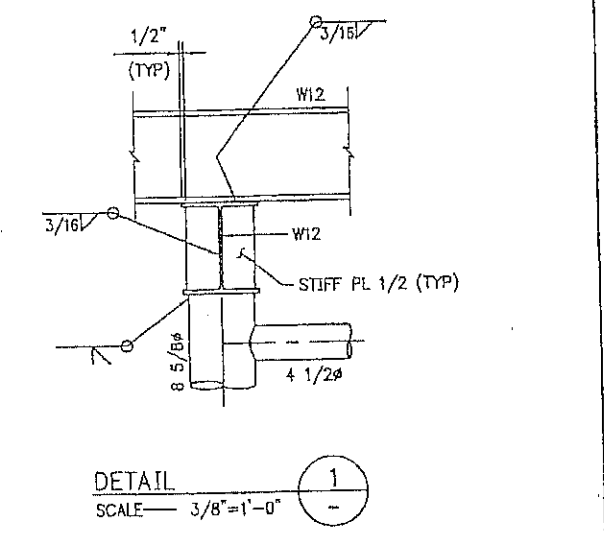
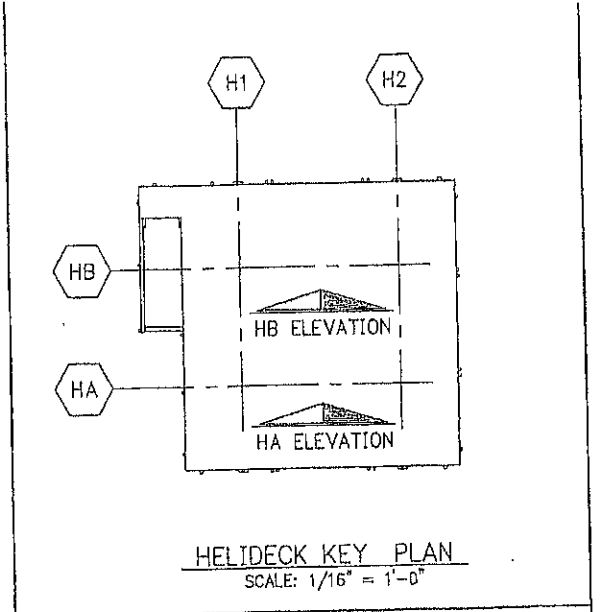
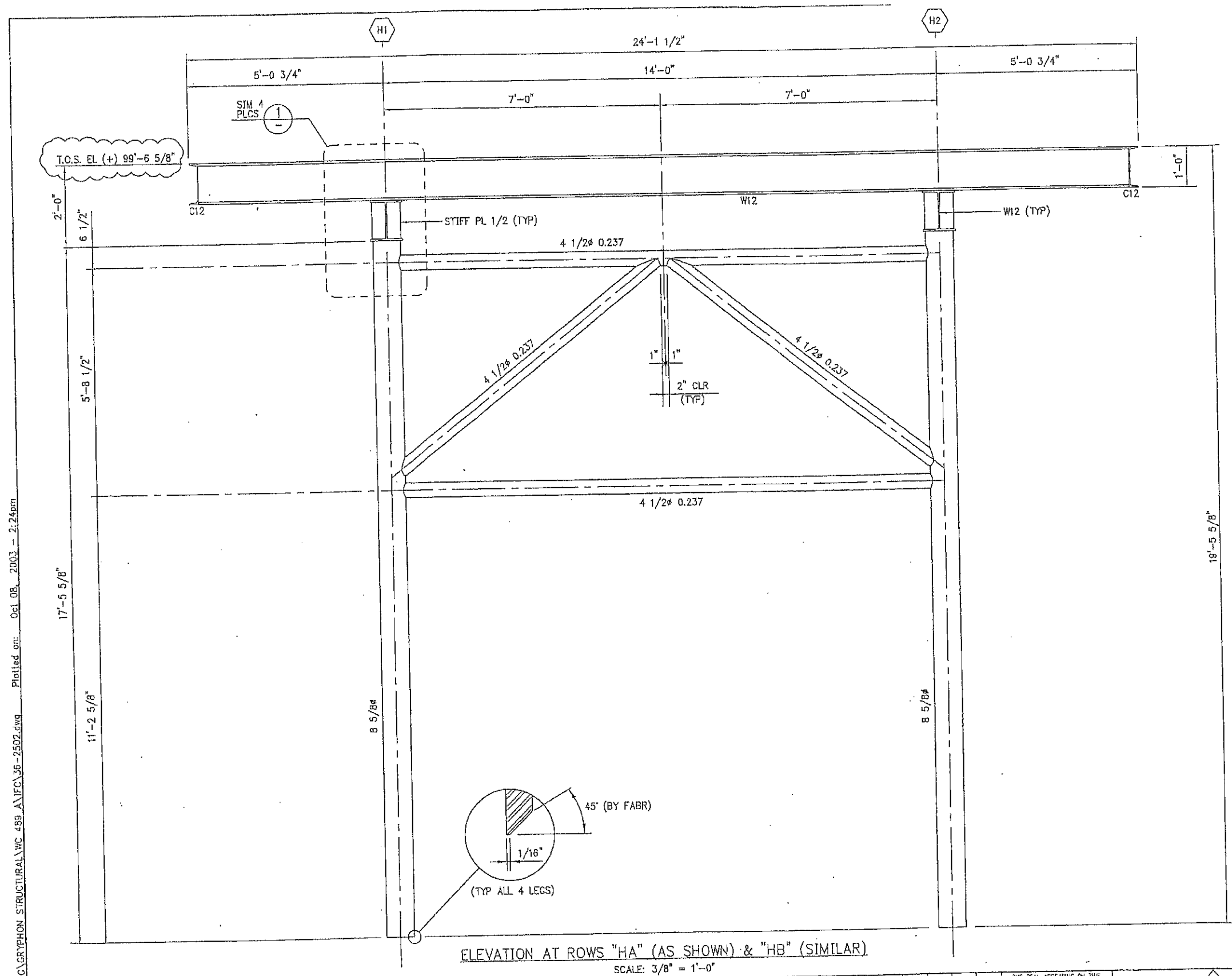


DESIGNED BY	S.V. SCHINDLER	09OCT03
DRAWN BY	J.H. DAVIS	08OCT03
CHECKED BY	HECTOR S. LEAL	08OCT03
SCALE	AS NOTED	DATE

GRYPHON EXPLORATION COMPANY		
GAS PRODUCTION PLATFORM WEST CAMERON AREA BLOCK 489 "A"		
HELIDECK FRAMING PLAN		
PROJECT NO.	DWG. NO.	REV.
003-36	2501	0

9 Oct 03

Drawing name: H:\DRAFTING\GRYPHON STRUCTURAL\WC 489 A\FC\36-2502.dwg Plotted on: Oct 08, 2003 - 2:24pm



ELEVATION AT ROWS "HA" (AS SHOWN) & "HB" (SIMILAR)
SCALE: 3/8" = 1'-0"

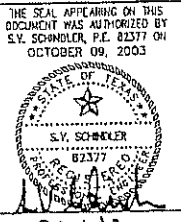
ISSUED FOR CONSTRUCTION
08 OCTOBER 03

GRYPHON EXPLORATION COMPANY
GAS PRODUCTION PLATFORM
WEST CAMERON AREA BLOCK 489 "A"
HELIDECK ELEVATIONS "HA" AND "HB"
PROJECT NO. 003-36 DWG. NO. 2502 REV. 0

NOTES:
1. FOR DRAWING INDEX AND GENERAL NOTES REFERENCE DWG 0001.

PROPRIETARY
THIS DOCUMENT AND THE INFORMATION DISCLOSED HEREIN ARE THE PROPERTY OF STATE SERVICE CO., INC., HOUSTON, TEXAS, U.S.A. AND ARE NOT TO BE REPRODUCED OR USED TO FURNISH ANY INFORMATION FOR MAKING OF DRAWINGS OR APPARATUS EXCEPT WHERE PROVIDED BY WRITTEN AGREEMENT WITH STATE SERVICE CO., INC.

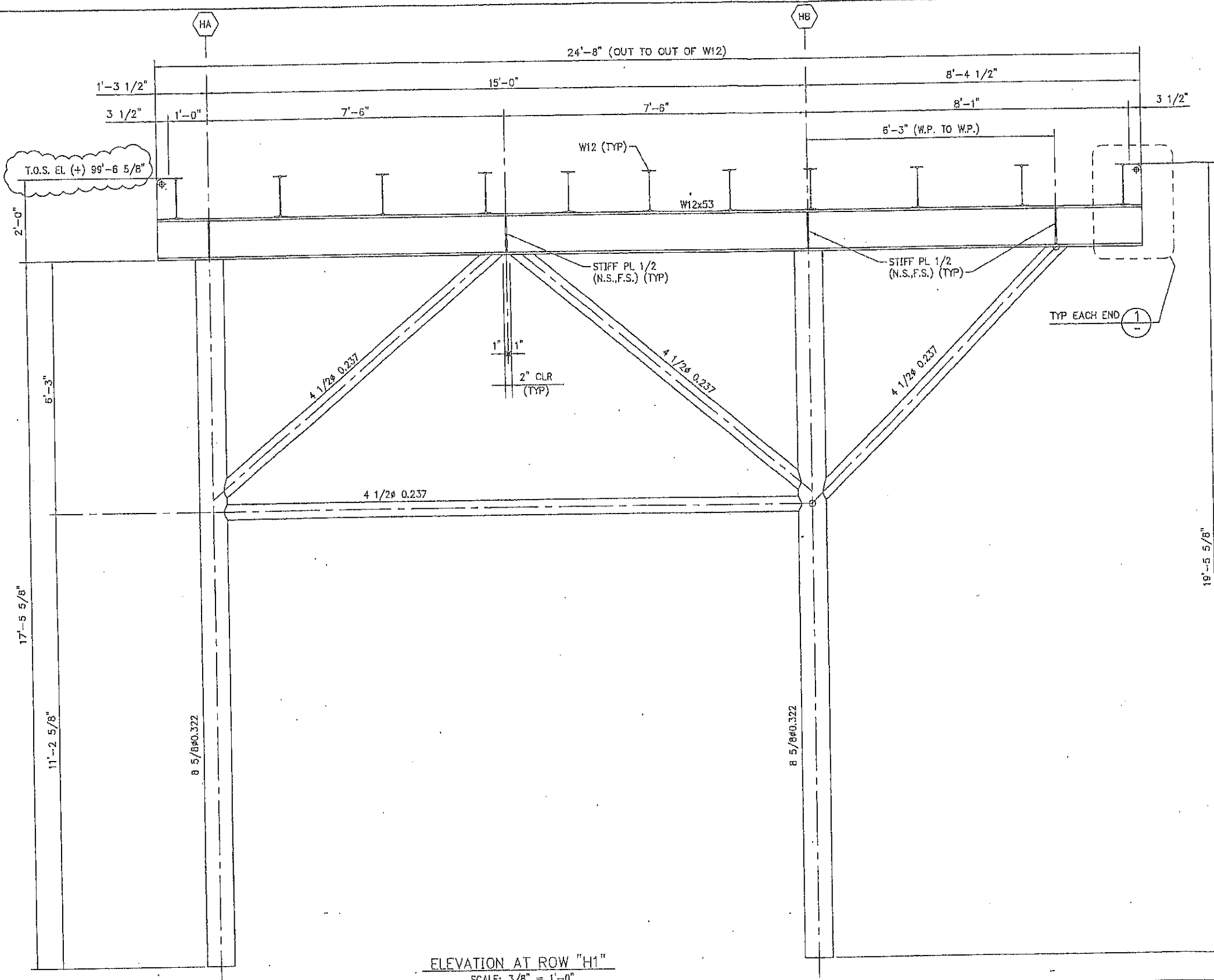
REV	DATE	BY	DESCRIPTION	CHK	ENGR	APPR	CLD/INT
0	08OCT03	JHD	ISSUED FOR CONSTRUCTION	HL	SVS	JBS	



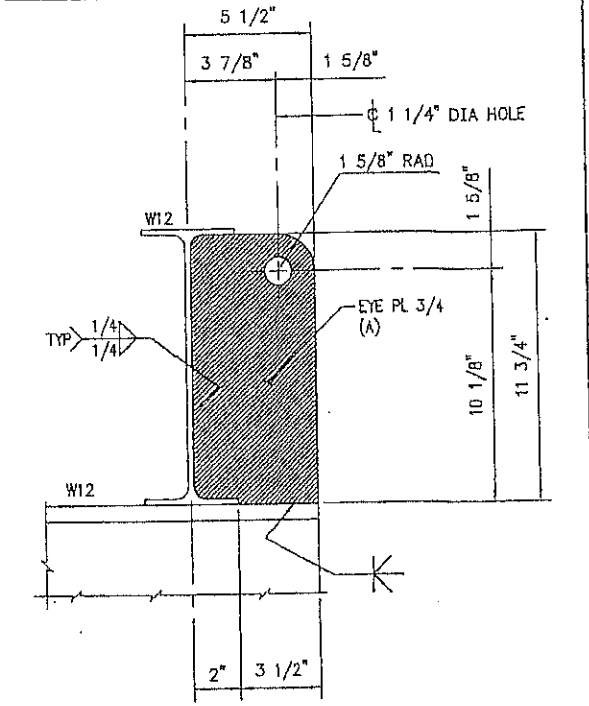
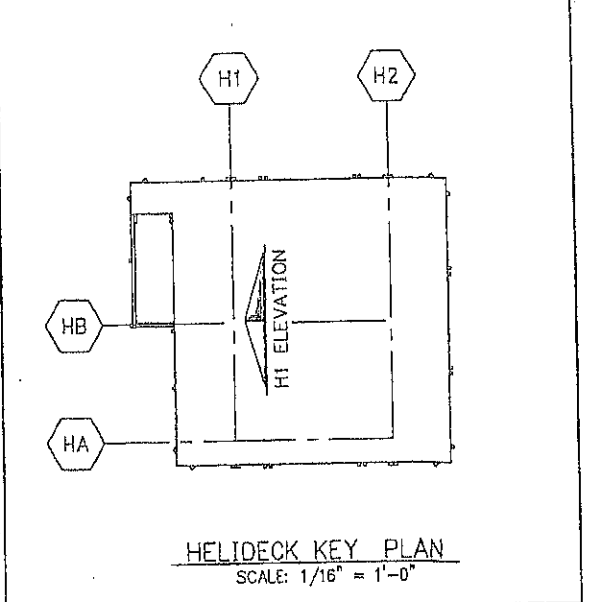
SSCI
STATE SERVICE CO., INC.
FABRICATION • CONSTRUCTION • ENGINEERING
DESIGNED BY: S.V. SCHINDLER 08OCT03
DRAWN BY: J.H. DAVIS 06OCT03
CHECKED BY: HECTOR S. LEAL 08OCT03
SCALE: AS NOTED DATE:

9 Oct 03

Drawing name: H:\DRAFTING\GRYPHON STRUCTURAL\WC 489 A\FC\36-2503.dwg Plotted on: Del.08. 2003 - 2:24pm



ELEVATION AT ROW "H1"
SCALE: 3/8" = 1'-0"



DETAIL 1
SCALE: 1 1/2" = 1'-0"

DETAIL 1
SCALE: 1 1/2" = 1'-0" 2504

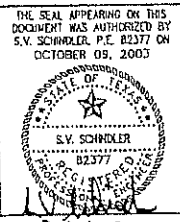
ISSUED FOR CONSTRUCTION
09 OCTOBER 03

GRYPHON EXPLORATION COMPANY
GAS PRODUCTION PLATFORM
WEST CAMERON AREA BLOCK 489 "A"
HELIDECK ELEVATION "H1"
PROJECT NO. 003-36 DWG. NO. 2503 REV. 0

NOTES:
1. FOR DRAWING INDEX AND GENERAL NOTES REFERENCE DWG 0001.

PROPRIETARY
THIS DOCUMENT AND THE INFORMATION DISCLOSED HEREIN ARE THE PROPERTY OF STATE SERVICE CO., INC., HOUSTON, TEXAS, U.S.A. AND ARE NOT TO BE REPRODUCED OR USED TO FURNISH ANY INFORMATION FOR MAKING OF DRAWINGS OR APPARATUS EXCEPT WHERE PROVIDED BY WRITTEN AGREEMENT WITH STATE SERVICE CO., INC.

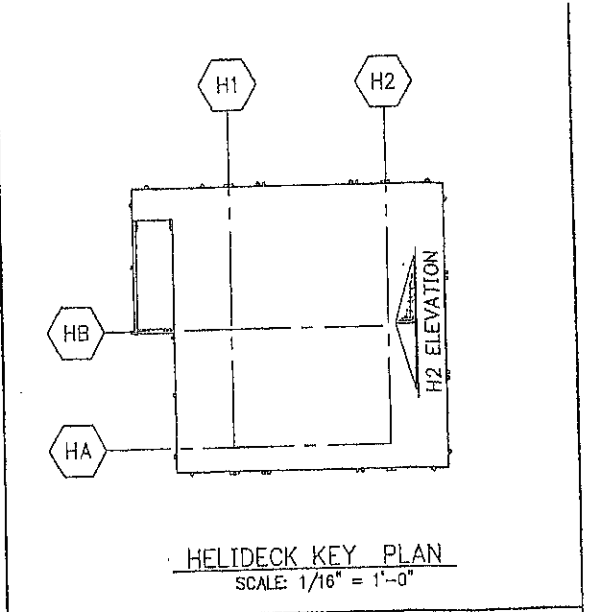
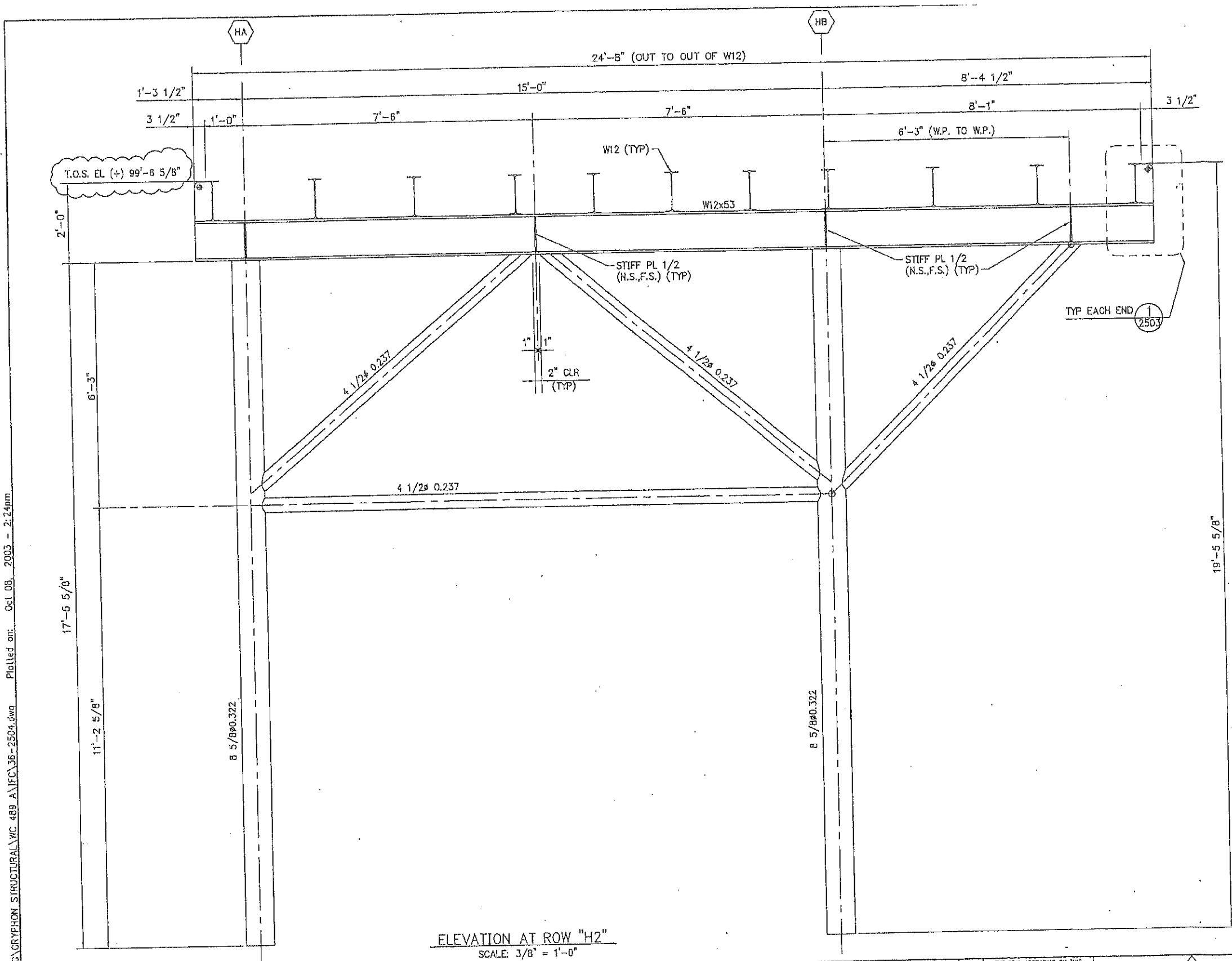
REV	DATE	BY	DESCRIPTION	CHK	ENGR	APPR	CLIENT
0	08OCT03	JhD	ISSUED FOR CONSTRUCTION	HL	SYS	JBS	



DESIGNED BY	S.V. SCHINDLER	09OCT03
DRAWN BY	J.H. DAVIS	06OCT03
CHECKED BY	HECTOR S. LEAL	08OCT03
SCALE	AS NOTED	DATE

9 Oct 03

Drawing name: H:\DRAFTING\GRYPHON STRUCTURAL\WC 489 A\FCA\36-2504.dwg Plotted on: Oct 08, 2003 - 2:24pm



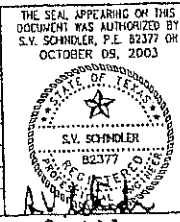
ELEVATION AT ROW "H2"
SCALE: 3/8" = 1'-0"

ISSUED FOR CONSTRUCTION
09 OCTOBER 03

NOTES:
1. FOR DRAWING INDEX AND GENERAL NOTES REFERENCE DWG 0001.

PROPRIETARY
THIS DOCUMENT AND THE INFORMATION DISCLOSED HEREIN ARE THE PROPERTY OF STATE SERVICE CO., INC., HOUSTON, TEXAS, U.S.A. AND ARE NOT TO BE REPRODUCED OR USED TO FURNISH ANY INFORMATION FOR MAKING OF DRAWINGS OR APPARATUS EXCEPT WHERE PROVIDED BY WRITTEN AGREEMENT WITH STATE SERVICE CO., INC.

REV	DATE	BY	DESCRIPTION	CHK	ENGR	APPR	CLIENT
0	09OCT03	JhD	ISSUED FOR CONSTRUCTION	HL	SYS	JBS	



SSCI
STATE SERVICE CO., INC.
FABRICATION • CONSTRUCTION • ENGINEERING

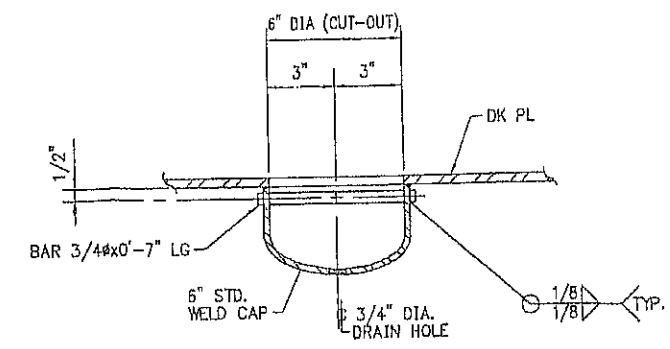
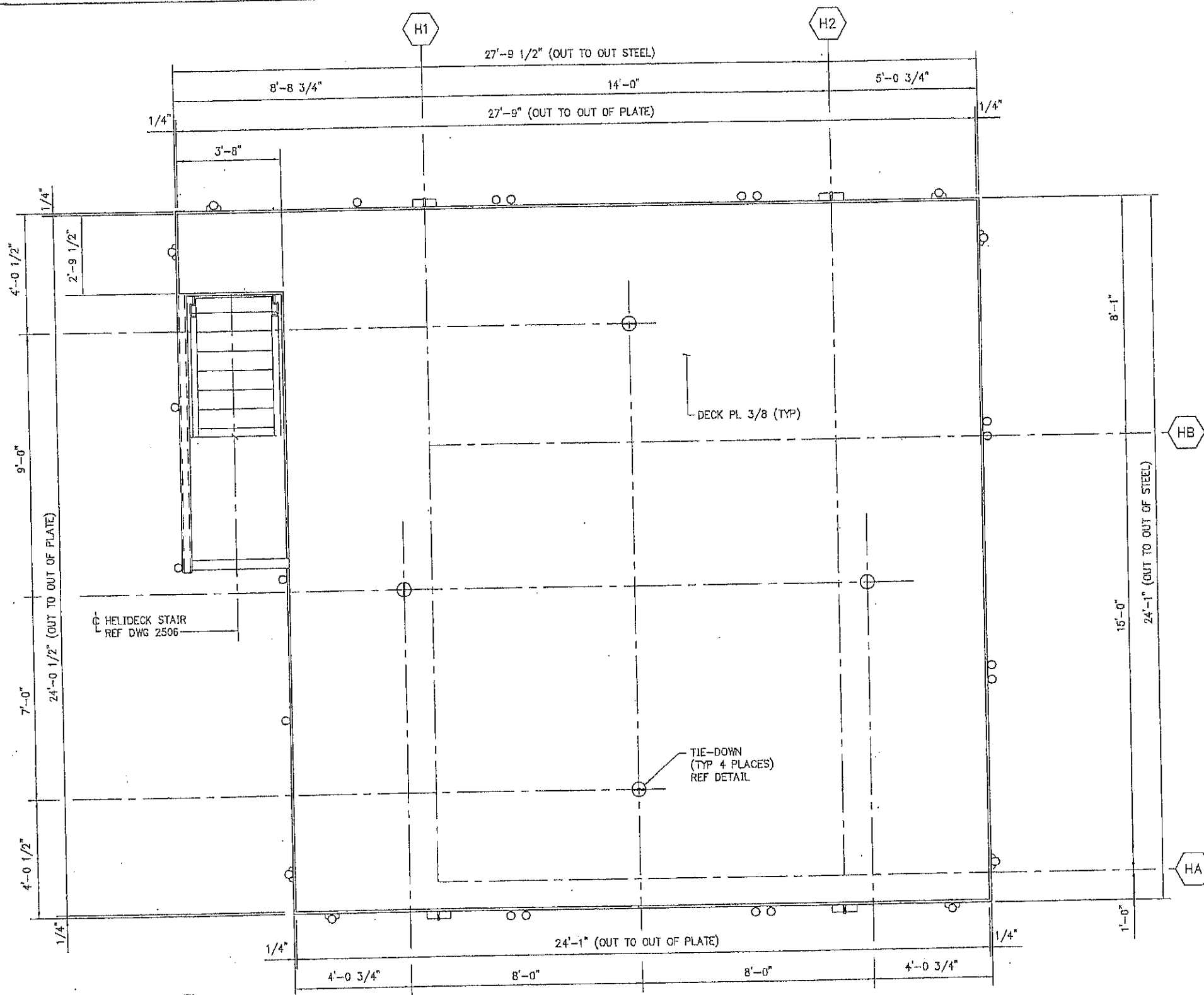
DESIGNED BY S.V. SCHINDLER 09OCT03
DRAWN BY J.H. DAVIS 06OCT03
CHECKED BY HECTOR S. LEAL 08OCT03
SCALE AS NOTED DATE

GRYPHON EXPLORATION COMPANY
GAS PRODUCTION PLATFORM
WEST CAMERON AREA BLOCK 489 "A"
HELIDECK ELEVATION "H2"

PROJECT NO. 003-36 DWG. NO. 2504 REV. 0

90oct03

Drawing name: H:\DRAWING\GRYPHON STRUCTURAL\WC 489_A\FC\36-2505.dwg Plotted on: Oct 08, 2003 - 2:25pm



(TYPICAL 4 PLACES)
TIE-DOWN DETAIL
 SCALE: 1 1/2" = 1'-0"

NOTE:
 FOR HELIDECK SAFETY SHELF
 DETAIL REFERENCE DWG 2509

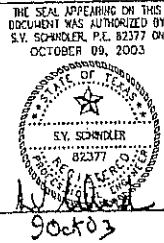
HELIDECK PLATING PLAN
 SCALE: 1/4" = 1'-0"

ISSUED FOR CONSTRUCTION
 08 OCTOBER 03

NOTES:
 1. FOR DRAWING INDEX AND GENERAL NOTES REFERENCE
 DWG 0001.

PROPRIETARY
 THIS DOCUMENT AND THE INFORMATION DISCLOSED HEREIN ARE THE
 PROPERTY OF STATE SERVICE CO., INC., HOUSTON, TEXAS, U.S.A.
 AND ARE NOT TO BE REPRODUCED OR USED TO FURNISH ANY
 INFORMATION FOR MAKING OF DRAWINGS OR APPARATUS EXCEPT WHERE
 PROVIDED BY WRITTEN AGREEMENT WITH STATE SERVICE CO., INC.

REV	DATE	BY	DESCRIPTION	CHK	ENGR	APPR	CLDN
0	09OCT03	JhD	ISSUED FOR CONSTRUCTION	HL	SVS	JBS	

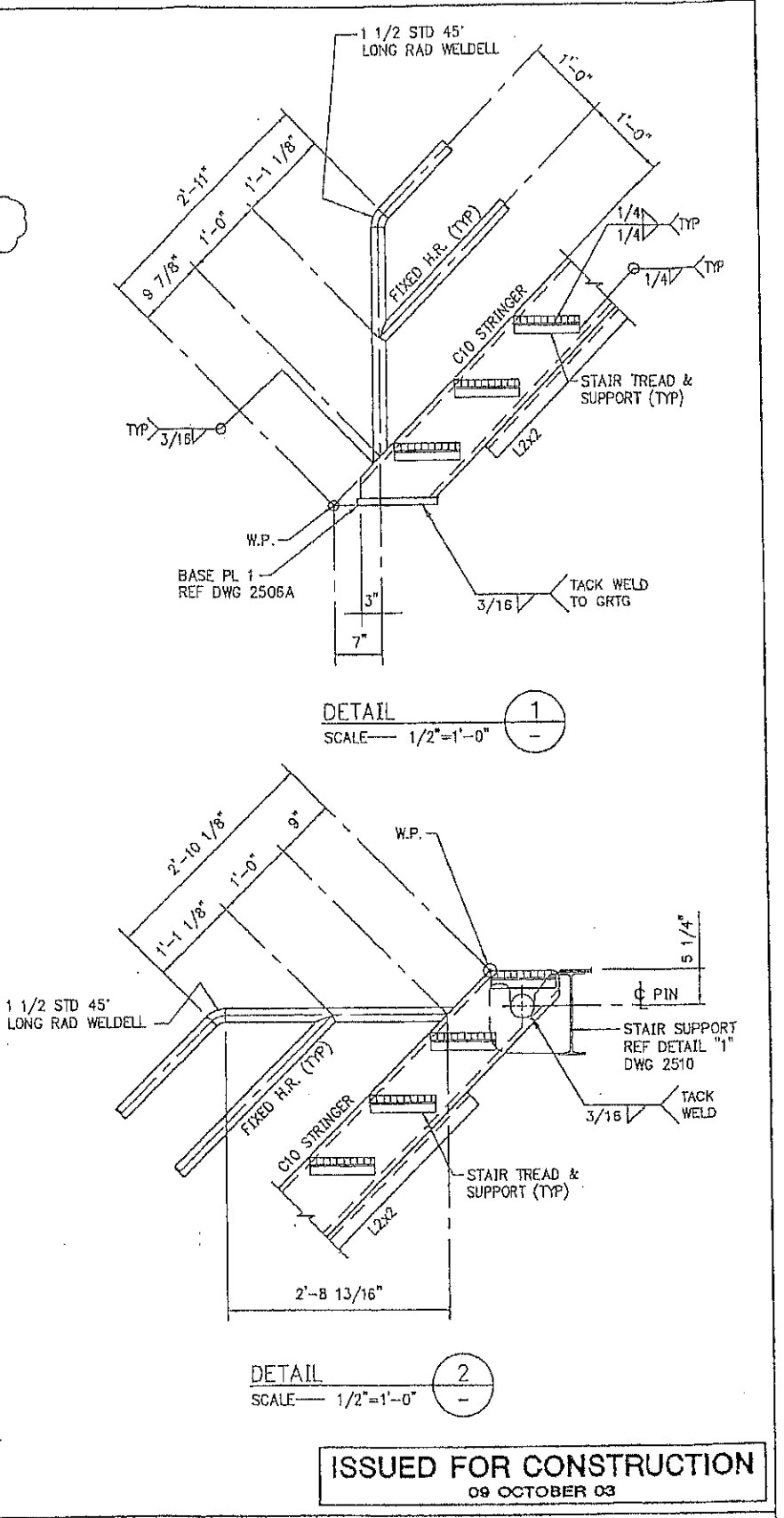
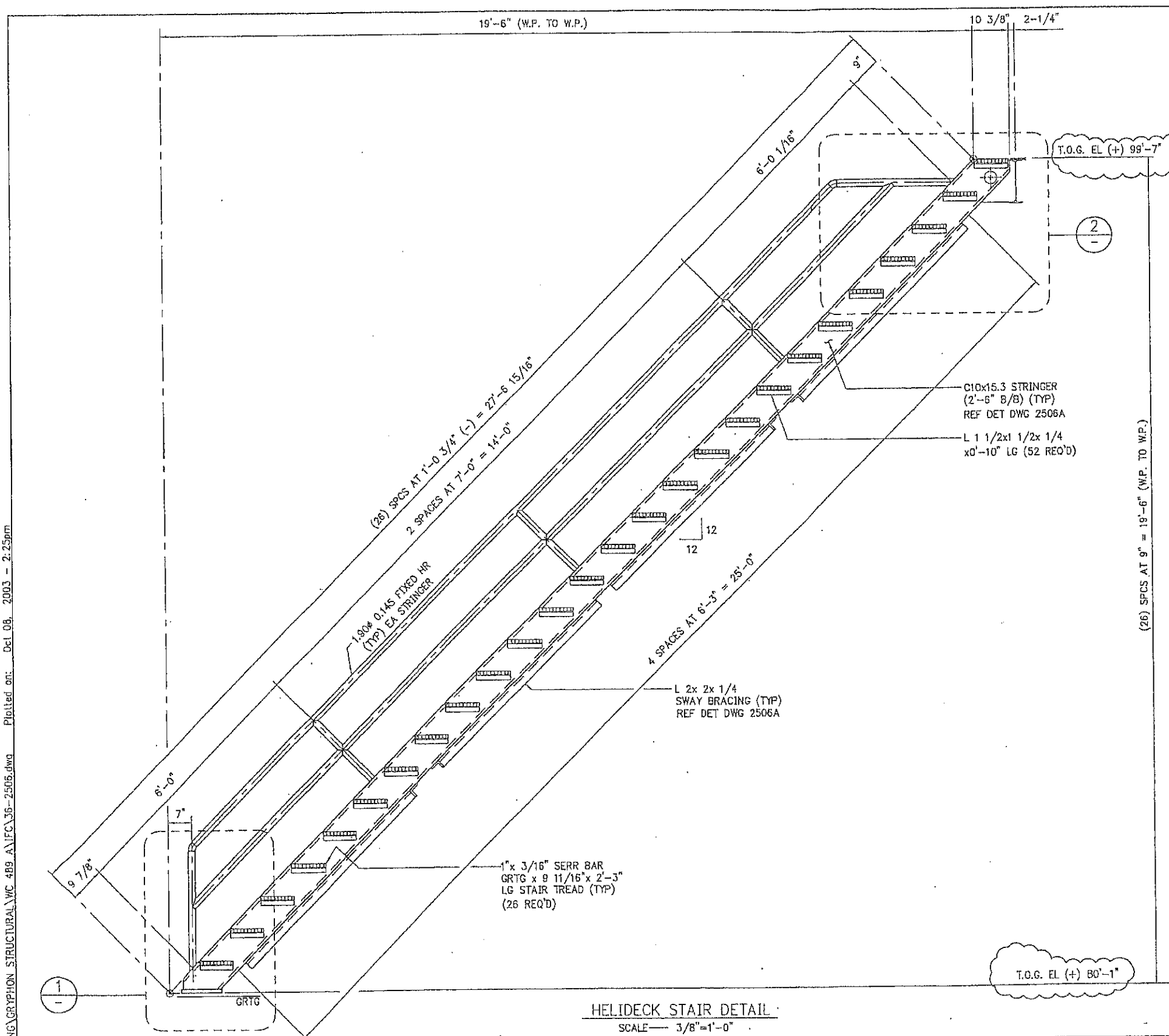


DESIGNED BY	S.V. SCHINDLER	09OCT03
DRAWN BY	J.H. DAVIS	06OCT03
CHECKED BY	HECTOR S. LEAL	08OCT03
SCALE	AS NOTED	DATE

GRYPHON EXPLORATION COMPANY		
GAS PRODUCTION PLATFORM WEST CAMERON AREA BLOCK 489 "A"		
HELIDECK PLATING		
PROJECT NO.	DWG. NO.	REV.
003-36	2505	0

9 Oct 03

Drawing name: H:\DRAWING\GRYPHON STRUCTURAL\WC 489 A\FC 35-2505.dwg Plotted on: Del 08, 2003 - 2:25pm



HELIDECK STAIR DETAIL
SCALE 3/8"=1'-0"

ISSUED FOR CONSTRUCTION
09 OCTOBER 03

NOTES:
1. FOR DRAWING INDEX AND GENERAL NOTES REFERENCE DWG 0001.

PROPRIETARY
THIS DOCUMENT AND THE INFORMATION DISCLOSED HEREIN ARE THE PROPERTY OF STATE SERVICE CO., INC., HOUSTON, TEXAS, U.S.A. AND ARE NOT TO BE REPRODUCED OR USED TO FURNISH ANY INFORMATION FOR MAKING OF DRAWINGS OR APPARATUS EXCEPT WHERE PROVIDED BY WRITTEN AGREEMENT WITH STATE SERVICE CO., INC.

REV	DATE	BY	DESCRIPTION	CHK	ENGR	APPR	CLIENT
0	09OCT03	JhD	ISSUED FOR CONSTRUCTION	HL	SVS	JBS	

THE SEAL APPEARING ON THIS DOCUMENT WAS AUTHORIZED BY S.V. SCHINDLER, P.E. 02377 04 OCTOBER 09, 2003

SSCI
STATE SERVICE COMPANY
FABRICATION • CONSTRUCTION • ENGINEERING

DESIGNED BY S.V. SCHINDLER 09OCT03
DRAWN BY J.H. DAVIS 07OCT03
CHECKED BY HECTOR S. LEAL 08OCT03
SCALE AS NOTED

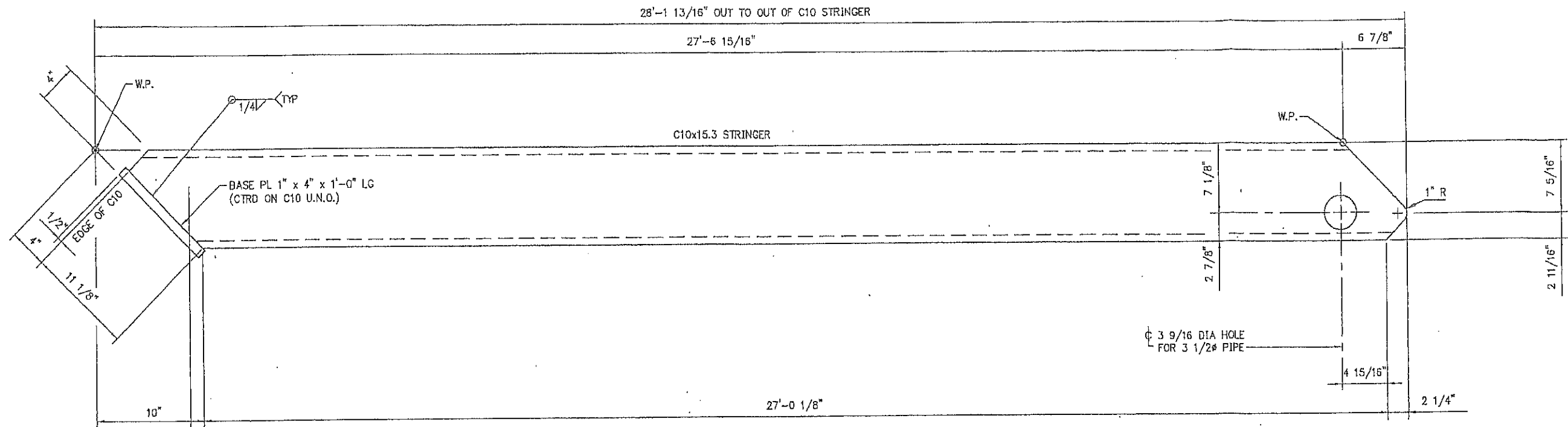
GRYPHON EXPLORATION COMPANY
GAS PRODUCTION PLATFORM
WEST CAMERON AREA BLOCK 489 "A"

HELIDECK STAIR

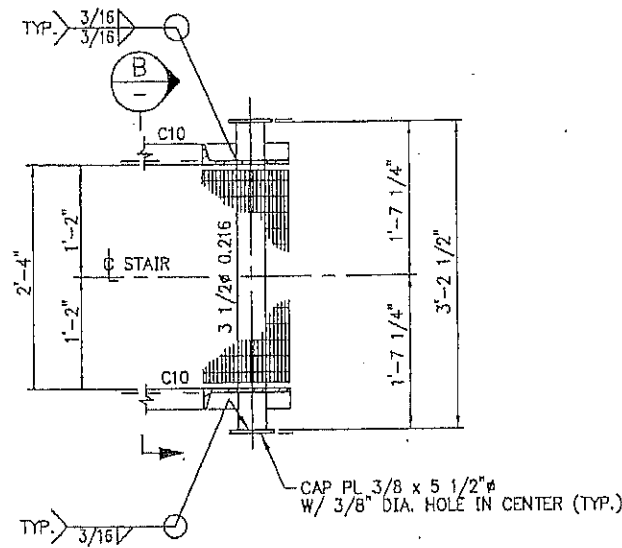
PROJECT NO. 003-36 DWG. NO. 2506 REV. 0

9 Oct 03

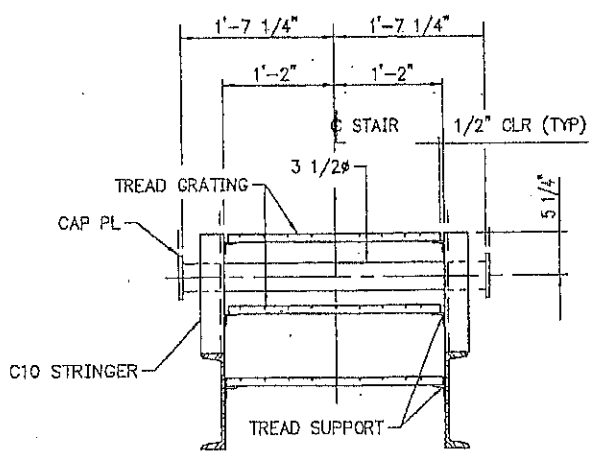
Drawing name: H:\Drafting\GRYPHON STRUCTURAL\WC_489_A\F036-2506A.dwg Plotted on: Oct 10, 2003 9:17am



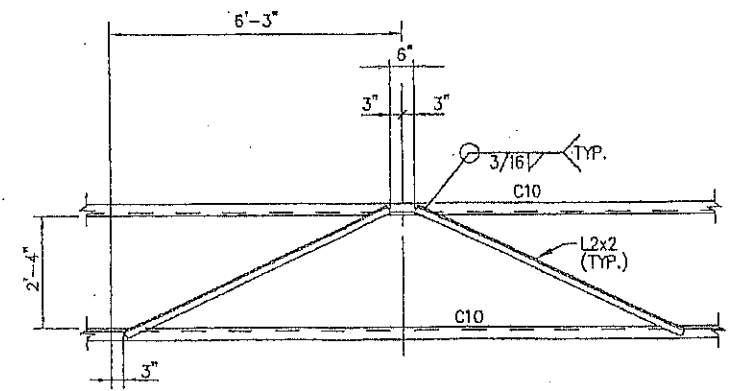
(ONE REQ'D AS SHOWN)
(ONE REQ'D OPP HAND)
STRINGER DETAILS
SCALE — 1"=1'-0"



SECTION A
SCALE — 1/2"=1'-0"



SECTION B
SCALE — 1/2"=1'-0"



SWAY BRACING DETAIL
SCALE — 1/4"=1'-0"

ISSUED FOR CONSTRUCTION
09 OCTOBER 03

GRYPHON EXPLORATION COMPANY
GAS PRODUCTION PLATFORM
WEST CAMERON AREA BLOCK 489 "A"
HELIDECK STAIR DETAILS
PROJECT NO. 003-36 DWG. NO. 2506A REV. 0

NOTES:
1. FOR DRAWING INDEX AND GENERAL NOTES REFERENCE DWG 0001.

PROPRIETARY
THIS DOCUMENT AND THE INFORMATION DISCLOSED HEREIN ARE THE PROPERTY OF STATE SERVICE CO., INC., HOUSTON, TEXAS, U.S.A. AND ARE NOT TO BE REPRODUCED OR USED TO FURNISH ANY INFORMATION FOR MAKING OF DRAWINGS OR APPARATUS EXCEPT WHERE PROVIDED BY WRITTEN AGREEMENT WITH STATE SERVICE CO., INC.

REV.	DATE	BY	DESCRIPTION	CHK	ENGR	APPR	CLIENT
0	09OCT03	JhD	ISSUED FOR CONSTRUCTION	HL	SYS	JBS	

THE SEAL APPEARING ON THIS DOCUMENT WAS AUTHORIZED BY S.V. SCHINDLER P.E. 62377 ON OCTOBER 09, 2003

SSCI
STATE SERVICE COMPANY
FABRICATION • CONSTRUCTION • ENGINEERING

DESIGNED BY S.V. SCHINDLER 09OCT03
DRAWN BY J.H. DAVIS 07OCT03
CHECKED BY HECTOR S. LEAL 08OCT03
SCALE AS NOTED DATE

9 Oct 03